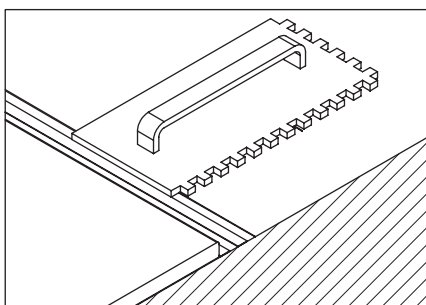
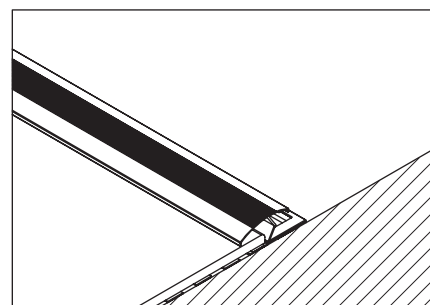


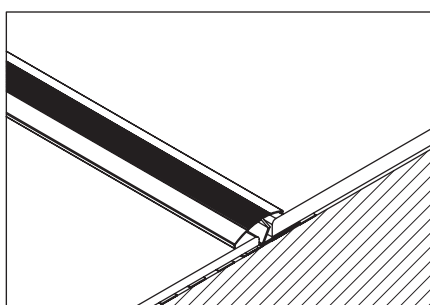
1 Pick the correct profile according to the flooring thickness.



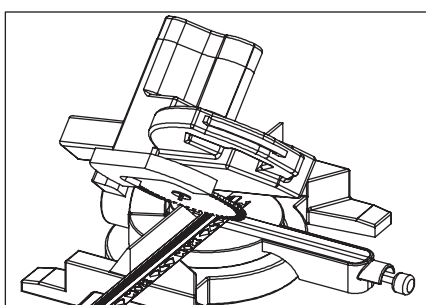
2 Apply joint and place the profiles anchor accordingly.



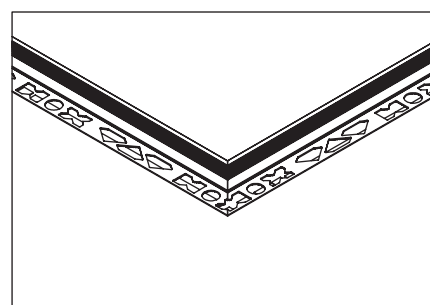
3 Press the profile until it is fixed to the joint.



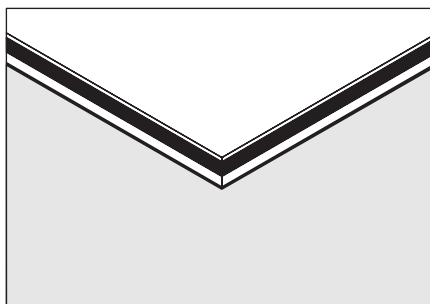
4 Place the carpet to the profile.



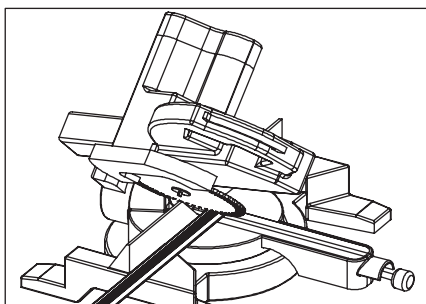
5 Cut profiles 45 degrees for external corners.



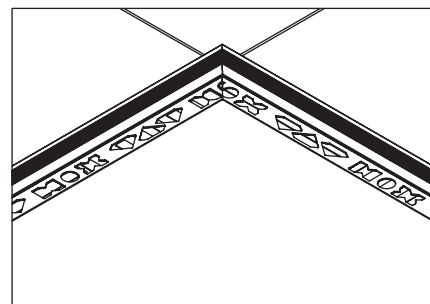
6 Align the profiles at the external corners and place them into the joint.



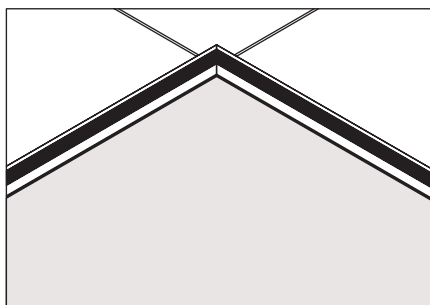
7 Place the carpet to the profile.



8 Cut profiles 45 degrees for internal corners.



9 Align the profiles at the internal corners and place them into the joint.



10 Place the carpet to the profile.