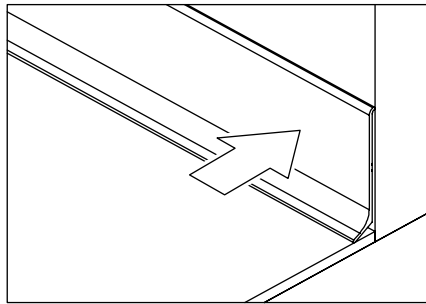
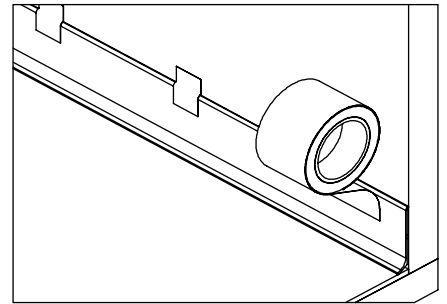


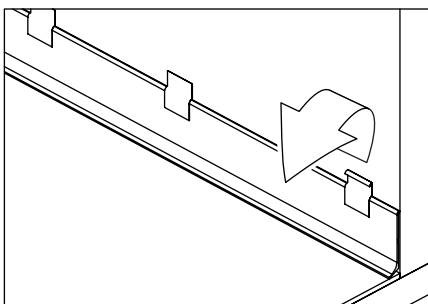
1 Squeeze the silicon in the manner of two lines to the back side of the profile.



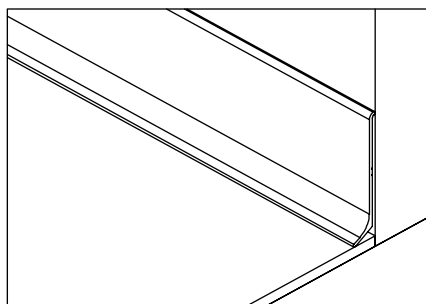
2 Paste the profile that you squeezed the silicon to the wall and press.



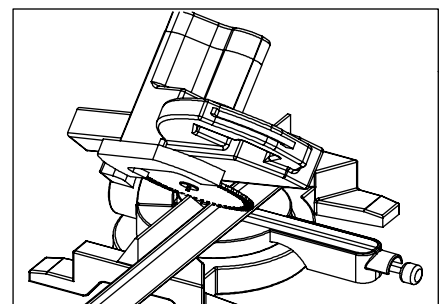
3 Tape the profile that you pasted to the wall at 50cm intervals.



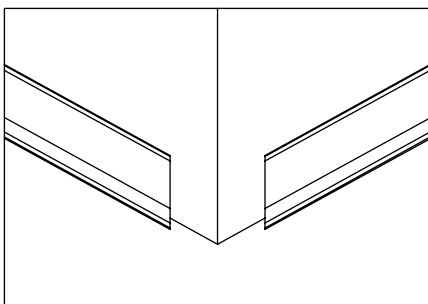
4 Remove the bands that on the profile heedfully the day after.



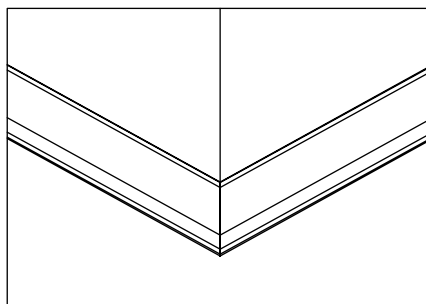
5 Make sure that the profile is stuck to the wall firmly.



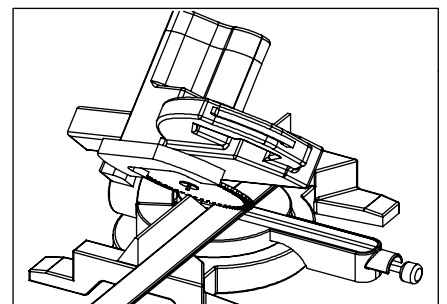
6 Cut profiles 45 degrees for external corners.



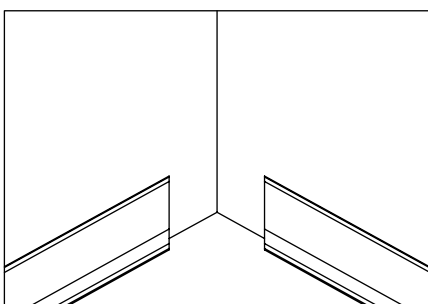
7 Paste the profiles that you cut 45 degrees to the wall in the manner that will be closed to each other.



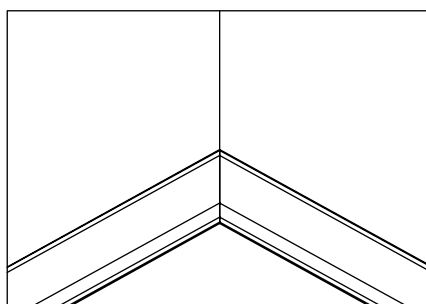
8 Make sure that the profiles that are cut 45 degrees are fixed to each other completely at the external corners.



9 Cut profiles 45 degrees for internal corners.



10 Paste the profiles that you cut 45 degrees to the wall in the manner that will be closed to each other.



11 Make sure that the profiles that are cut 45 degrees are fixed to each other completely at the internal corners.