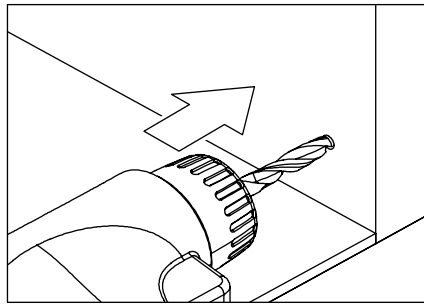
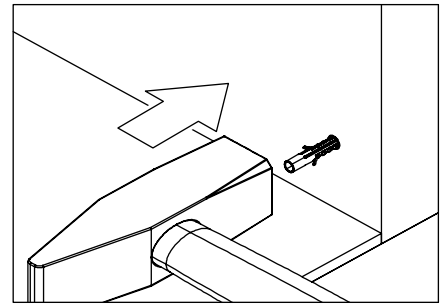


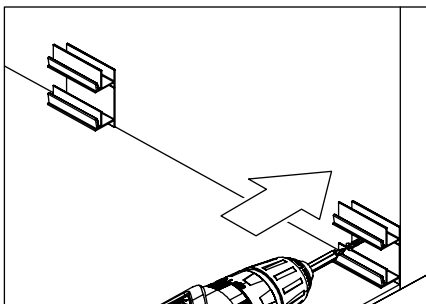
**1** Place the wall fixation tools at 50cm intervals and mark the wall from the screw holes.



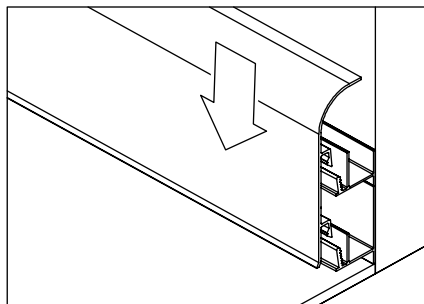
**2** Drill the points that you have already marked.



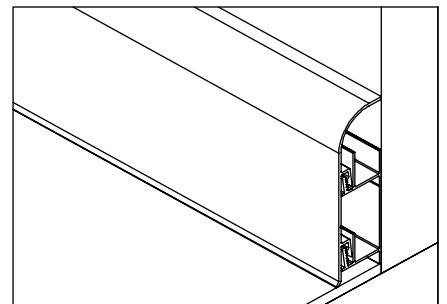
**3** Place the correct dowels according to the wall material into the drilled holes.



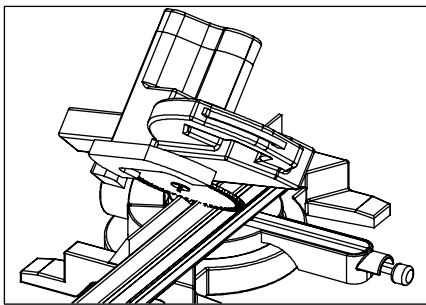
**4** Screw the wall fixation tools to places that are drilled at 50cm intervals.



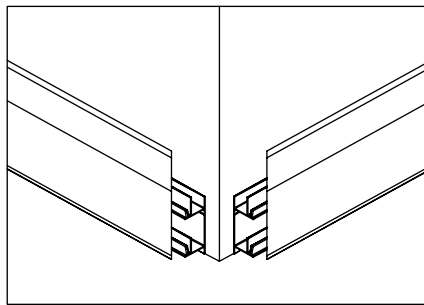
**5** Assemble the profile on the wall fixation tools just like in the picture.



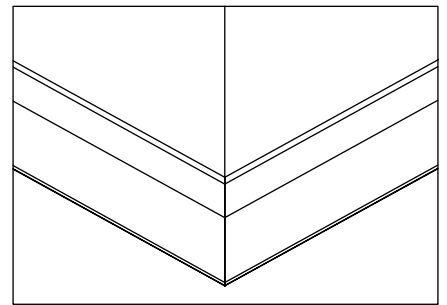
**6** Make sure that the profile nails and the fixation tool's nails are completely connected to each other and be sure that the profile sole is fixed to the floor.



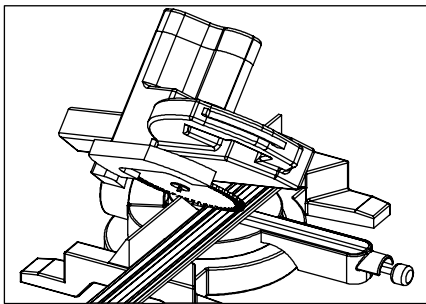
**7** Cut profiles 45 degrees for external corners.



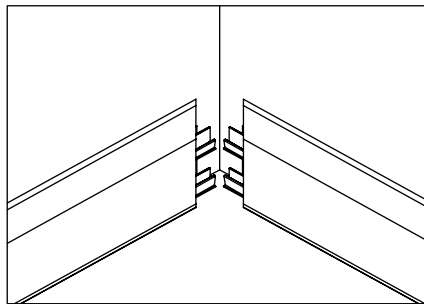
**8** Affix the wall fixation tools in the manner that will be closed to the corners and assemble the profiles that you cut 45 degrees on it.



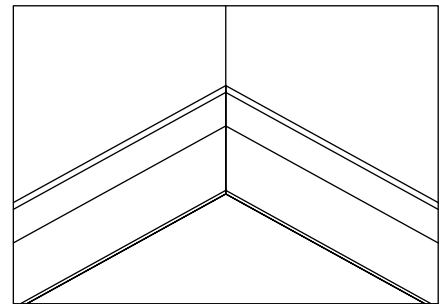
**9** Make sure that the profiles that are cut 45 degrees are fixed to each other completely at the external corners.



**10** Cut profiles 45 degrees for internal corners.



**11** Affix the wall fixation tools in the manner that will be closed to the corners and assemble the profiles that you cut 45 degrees on it.



**12** Make sure that the profiles that are cut 45 degrees are fixed to each other completely at the internal corners.