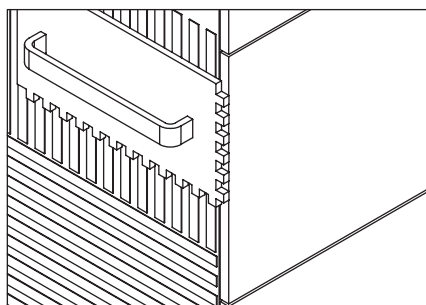
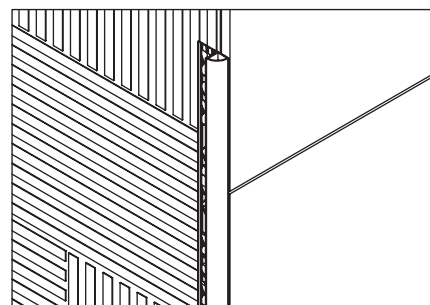


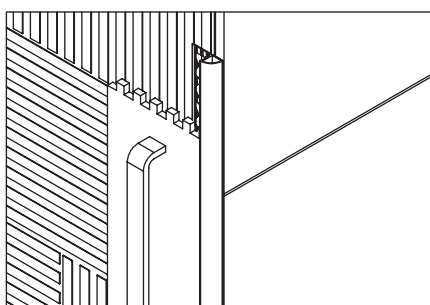
1 Pick the correct profile according to the tile thickness.



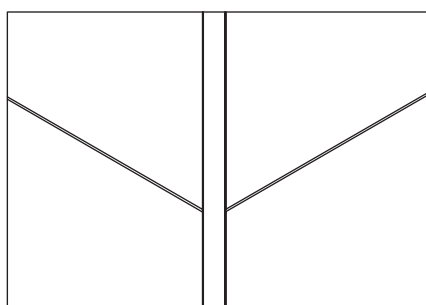
2 Apply joint and place the profiles anchor accordingly.



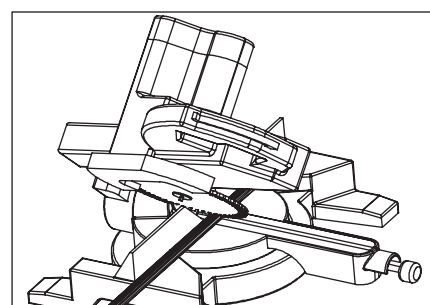
3 Press the profile until it is fixed to the joint.



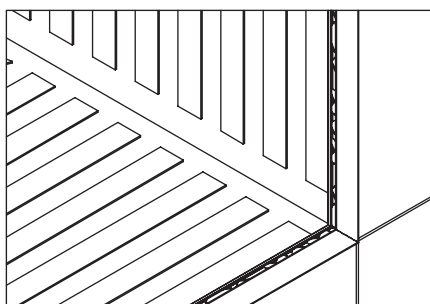
4 Apply joint to the places where the ceramics will be placed.



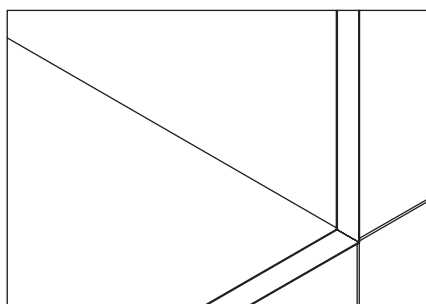
5 Place the tiles on the profile, making sure that their edges fit the profile and are flush.



6 Cut two profiles at 45 degrees for corner joints.



7 Align the profiles at the internal corners and press them into the joint.



8 Place the tiles on the profile, making sure that their edges fit the profile and are flush.