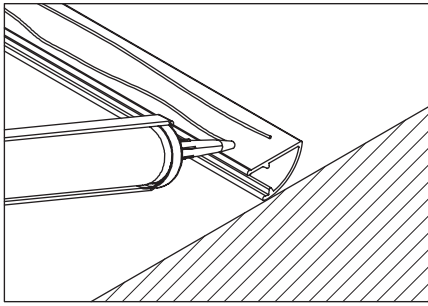
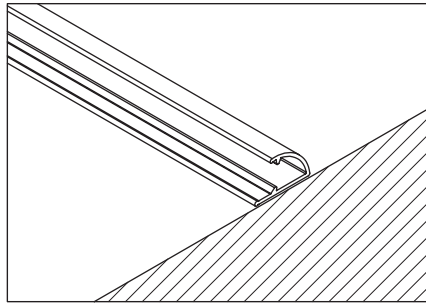


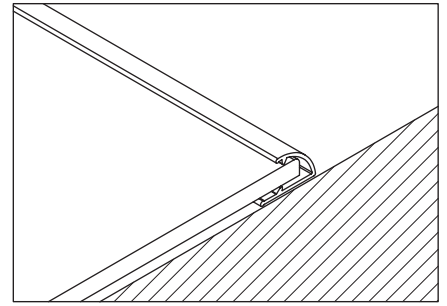
Application with Adhesive



1 Apply silicone or joint to the profile.

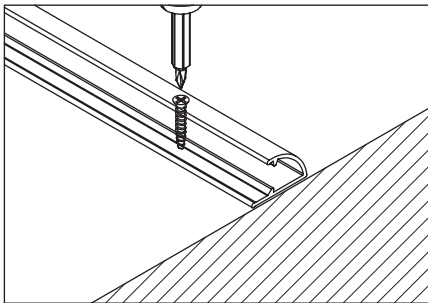


2 Fix the profile to the floor and press it.

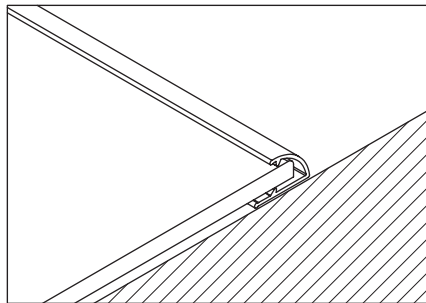


3 Place the carpet to the profile.

Application with Screw

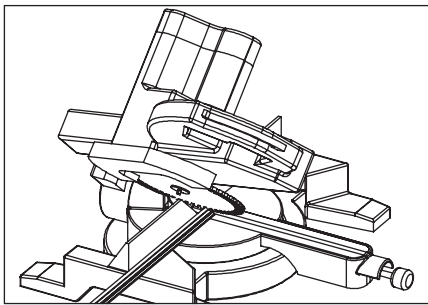


1 Fix the profile with screws.

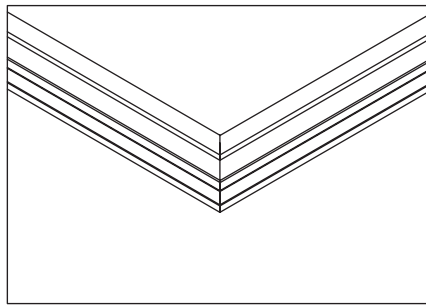


2 Place the carpet to the profile.

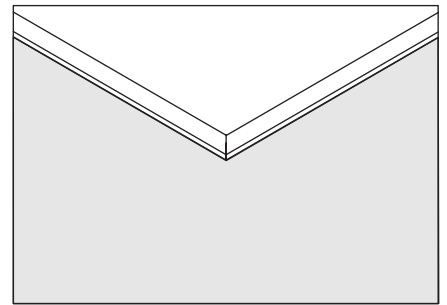
Köşe Birleşimleri



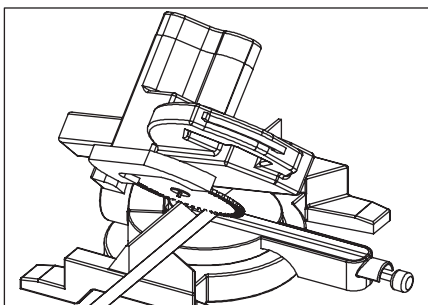
1 Cut profiles 45 degrees for internal corners.



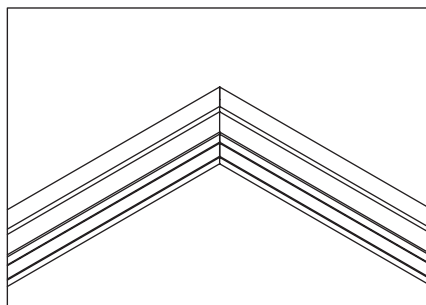
2 Align the profiles at the internal corners and place them into the joint.



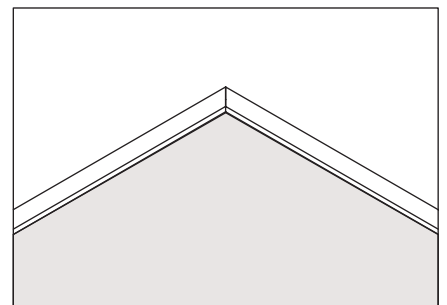
3 Place the carpet to the profile.



4 Cut profiles 45 degrees for external corners.



5 Align the profiles at the external corners and place them into the joint.



6 Place the carpet to the profile.