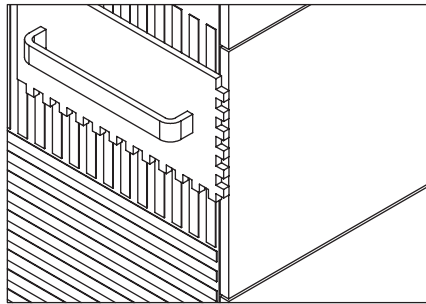
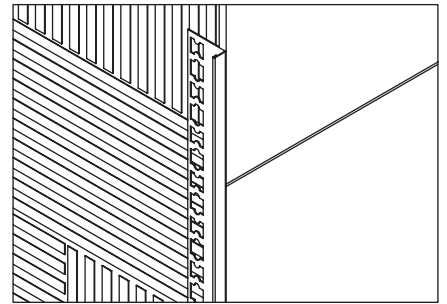


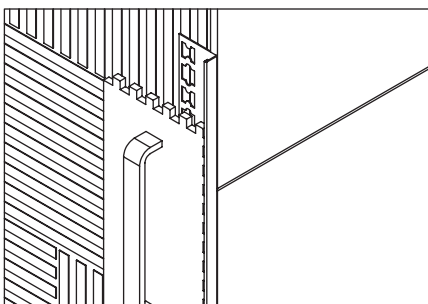
**1** Pick the correct profile according to the tile thickness.



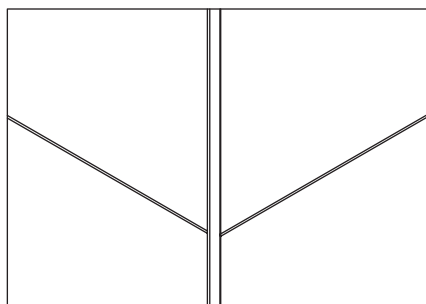
**2** Apply joint and place the profiles anchor accordingly.



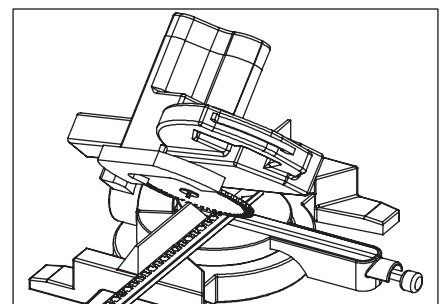
**3** Press the profile until it is fixed to the joint.



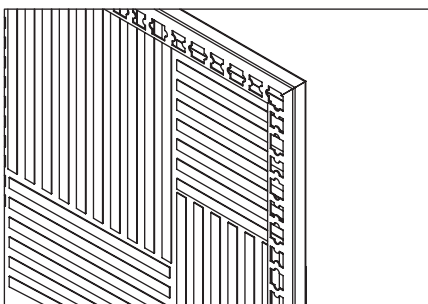
**4** Apply joint to the places where the ceramics will be placed.



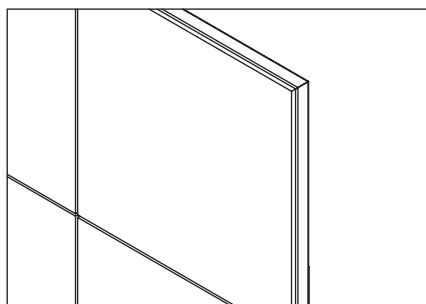
**5** Place the tiles on the profile, making sure that their edges fit the profile and are flush.



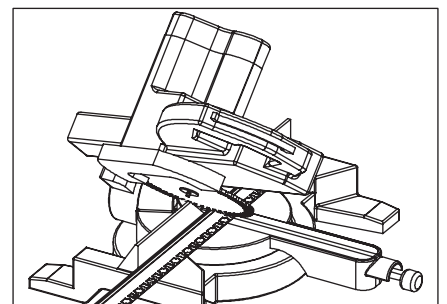
**6** Cut profiles 45 degrees for external corners.



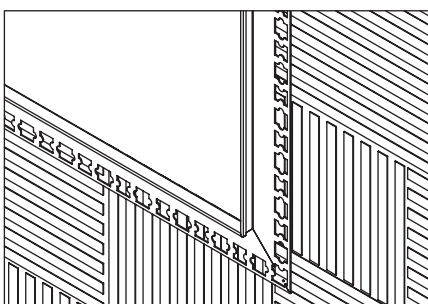
**7** Align the profiles at the external corners and press them into the joint.



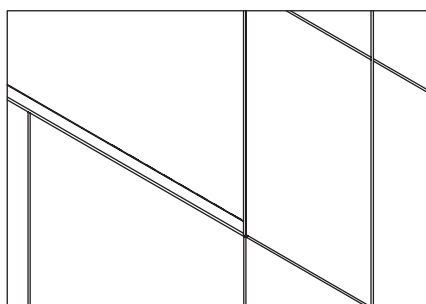
**8** Place the tiles on the profile, making sure that their edges fit the profile and are flush.



**9** Cut profiles 45 degrees for internal corners.



**10** Align the profiles at the internal corners and press them into the joint.



**11** Place the tiles on the profile, making sure that their edges fit the profile and are flush.