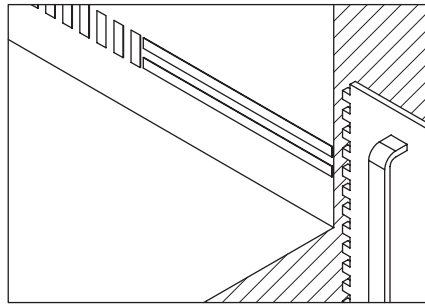
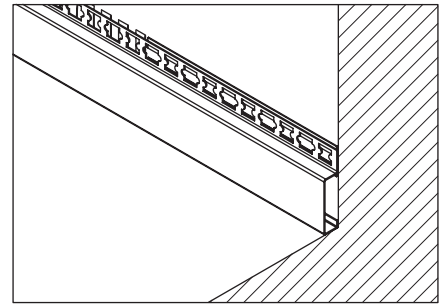


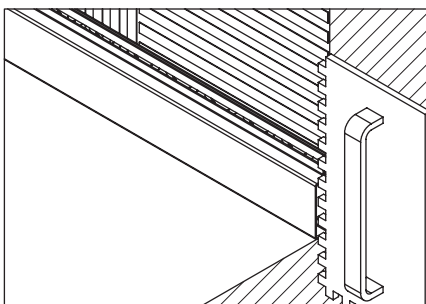
1 Pick the correct profile according to the tile thickness.



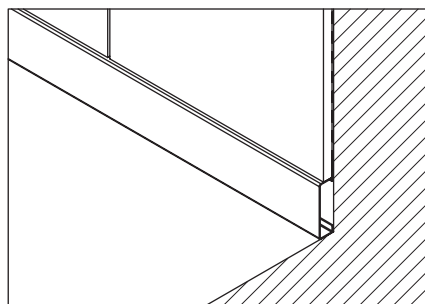
2 Apply joint and place the profiles anchor accordingly.



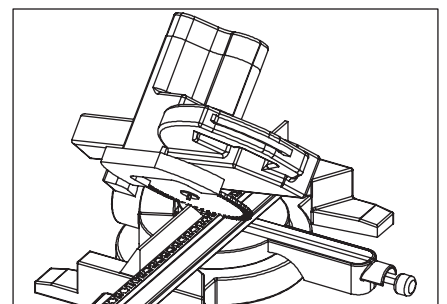
3 Press the profile until it is fixed to the joint.



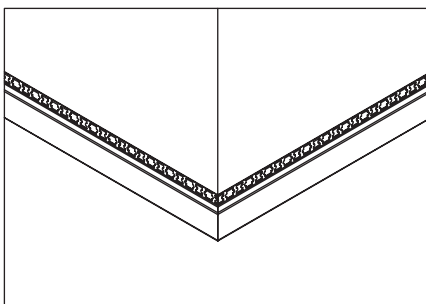
4 Apply joint to the places where the ceramics will be placed.



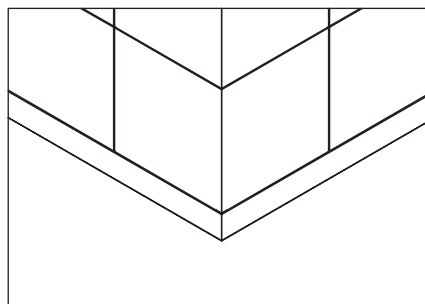
5 Place the tiles on the profile, making sure that their edges fit the profile and are flush.



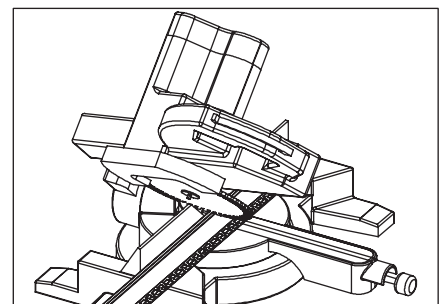
6 Cut profiles 45 degrees for external corners.



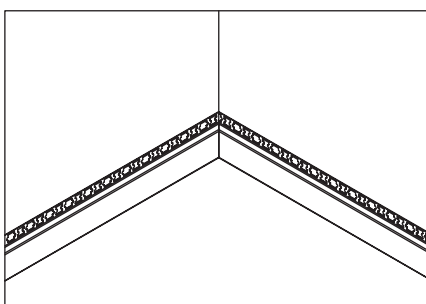
7 Align the profiles at the external corners and press them into the joint.



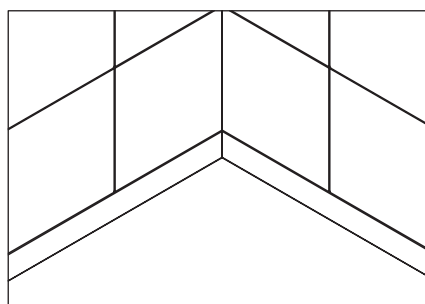
8 Place the tiles on the profile, making sure that their edges fit the profile and are flush.



9 Cut profiles 45 degrees for external corners.



10 Align the profiles at the internal corners and press them into the joint.



11 Place the tiles on the profile, making sure that their edges fit the profile and are flush.