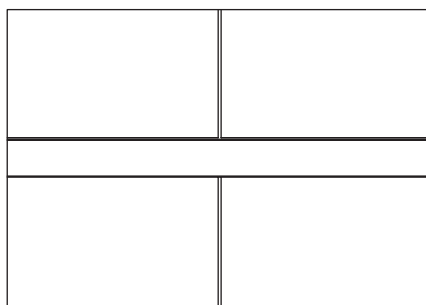
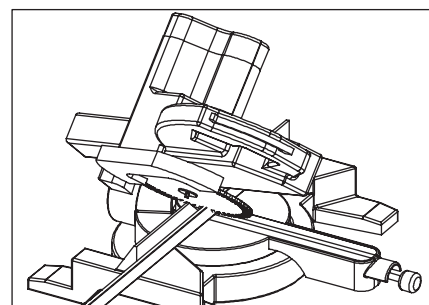


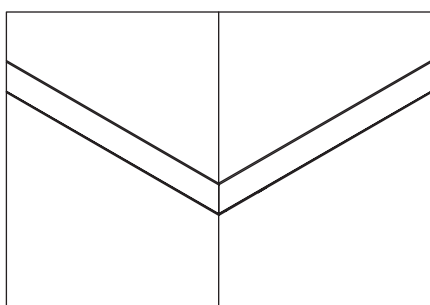
1 Pick the correct profile according to the tile thickness.



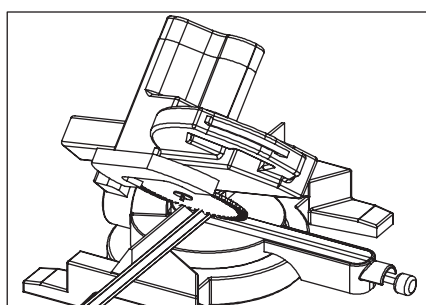
2 Place the profile between the tiles.



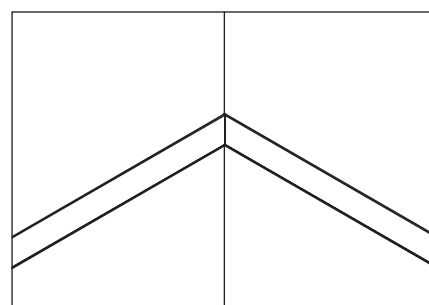
3 Cut profiles 45 degrees for external corners.



4 Place the profile between the tiles in external corners. Make sure the profiles are aligned.



5 Cut profiles 45 degrees for internal corners.



6 Place the profile between the tiles in internal corners. Make sure the profiles are aligned.