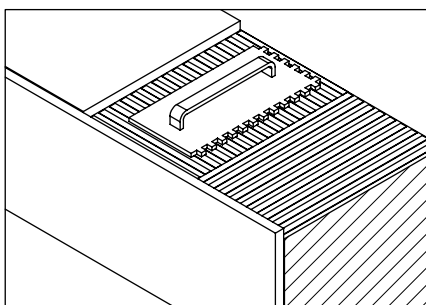
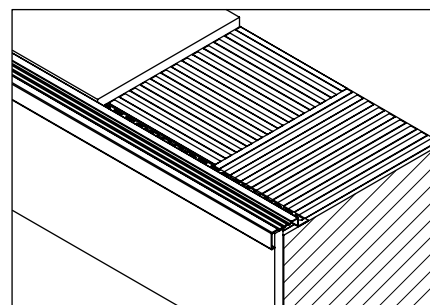


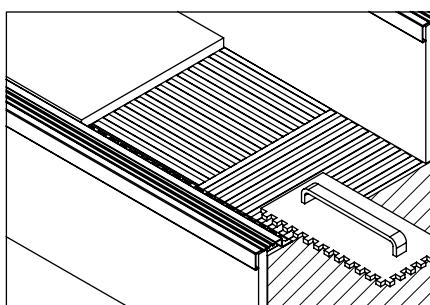
1 Pick the correct profile according to the tile thickness.



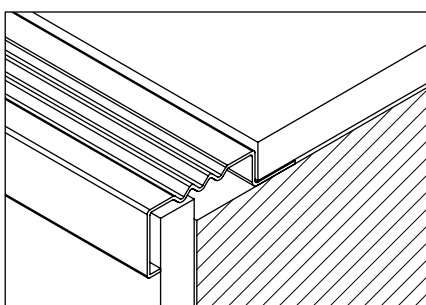
2 Apply joint and place the profiles anchor accordingly.



3 Press the profile until it is fixed to the joint.



4 Apply joint to the places where the ceramics will be placed.



5 Make sure that the edges of the lower and upper ceramics are fully fitted into the profile.