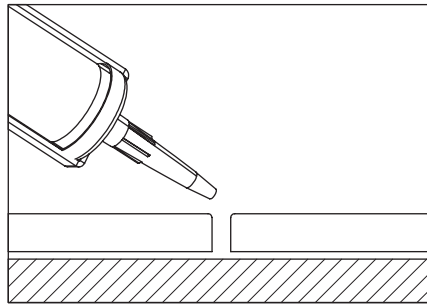
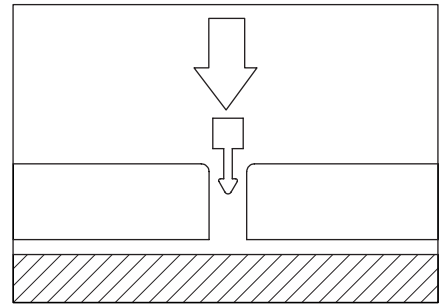


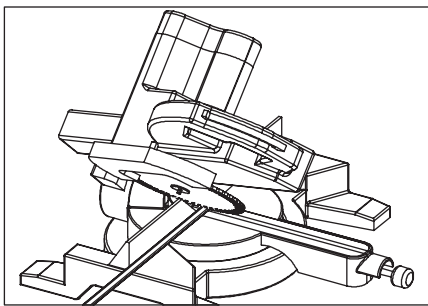
1 Select the correct profile size.



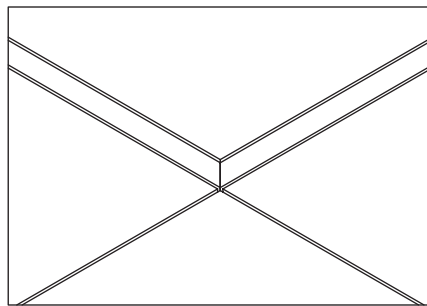
2 Apply silicone or joint to the gap between the two floorings.



3 Place the profile by pressing from the top.



4 Cut two profiles at 45 degrees for corner joints.



5 Place the profiles.