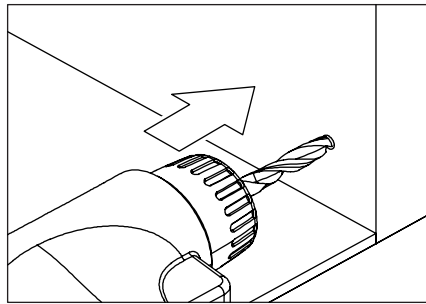
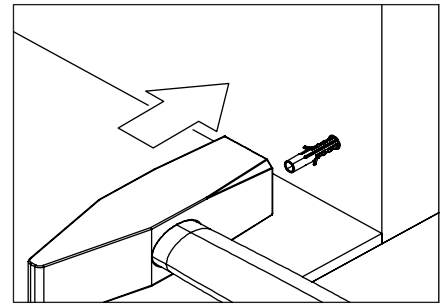


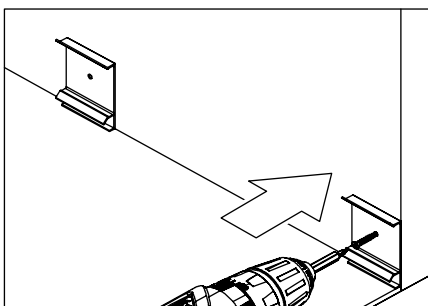
1 Place the wall fixation parts at 50cm intervals and mark the wall from the screw holes.



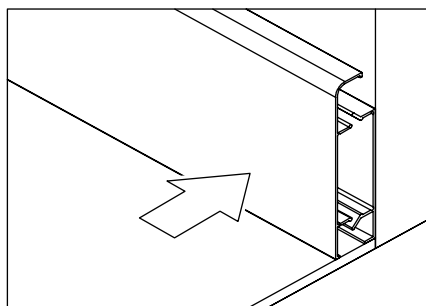
2 Drill the points that you have already marked.



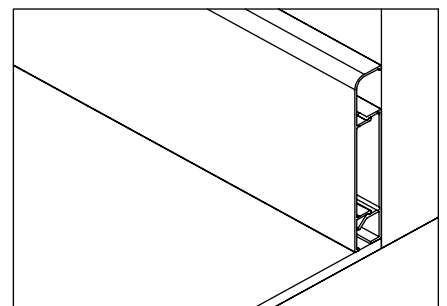
3 Place the correct dowels according to the wall material into the drilled holes.



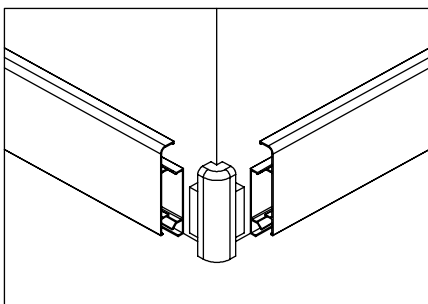
4 Screw the wall fixation parts to the places that are drilled at 50cm intervals.



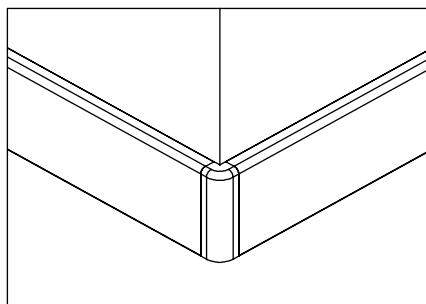
5 Assemble the profile on the wall fixation parts just like in the picture.



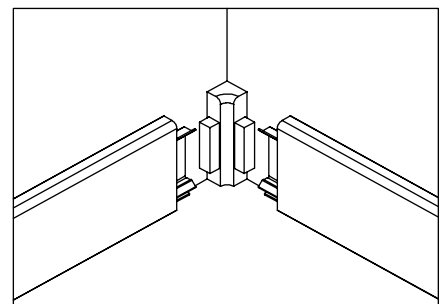
6 Make sure that the profile nails and the fixation part's nails are completely connected to each other and be sure that the profile sole is fixed to the floor.



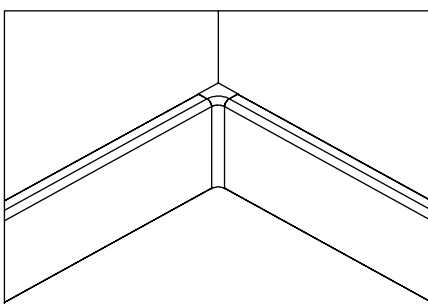
7 Affix the wall fixation tools in the manner that will be closed to the corners and assemble the corner combining tools with the profiles to ensure the rotating of external corners.



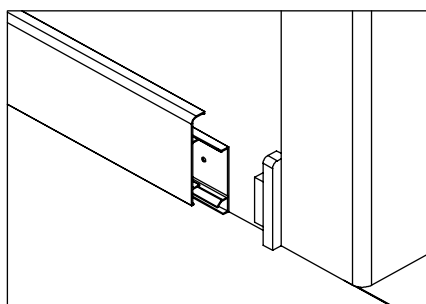
8 Make sure that profiles and corner combining tools are fixed to each other completely at the external corners.



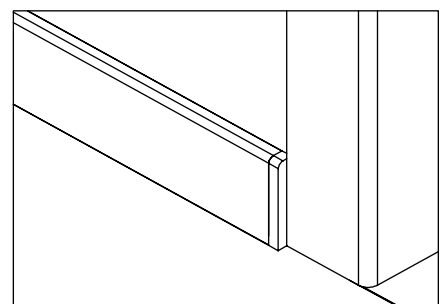
9 Affix the wall fixation tools in the manner that will be closed to the corners and assemble the corner combining tools with the profiles to ensure the rotating of internal corners.



10 Make sure that profiles and corner combining tools are fixed to each other completely at the internal corners.



11 Assemble the cap tools with the profiles to ensure the wall ends properly.



12 Make sure that profiles and cap tools are fixed to each other completely at the ends of the wall.