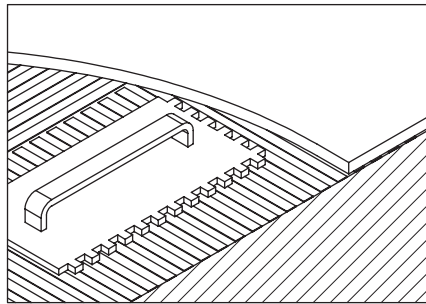
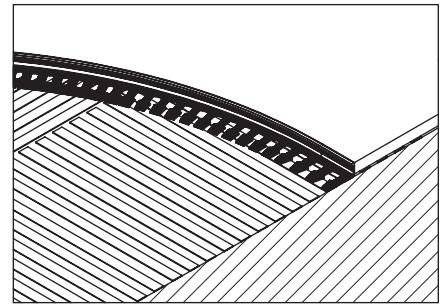


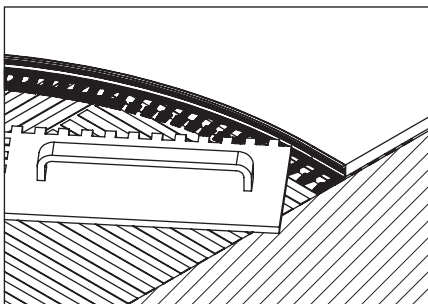
1 Pick the correct profile according to the tile thickness.



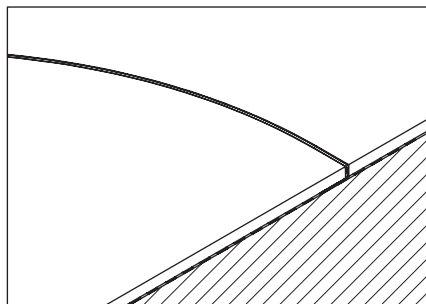
2 Apply joint and place the profiles anchor accordingly.



3 Press the profile until it is fixed to the joint.



4 Apply joint to the places where the ceramics will be placed.



5 Place the tiles on the profile, making sure that their edges fit the profile and are flush.