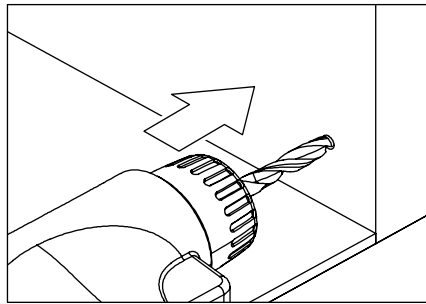
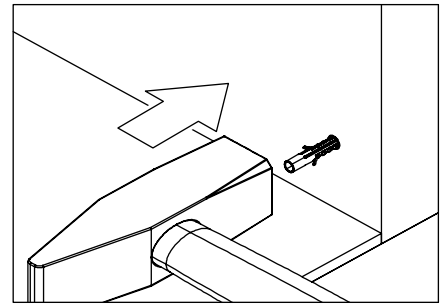


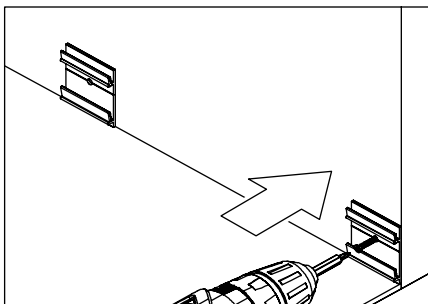
1 Place the wall fixation tools at 50cm intervals and mark the wall from the screw holes.



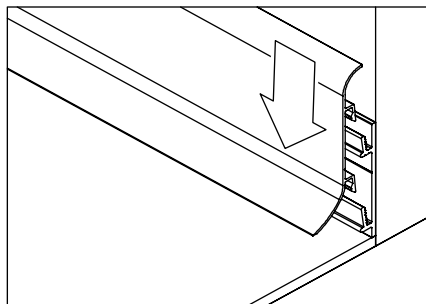
2 Drill the points that you have already marked.



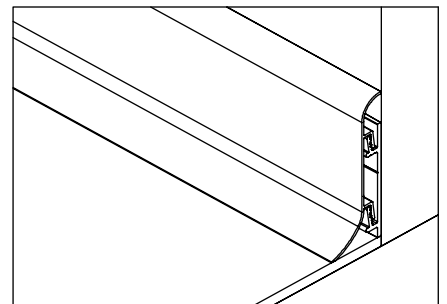
3 Place the correct dowels according to the wall material into the drilled holes.



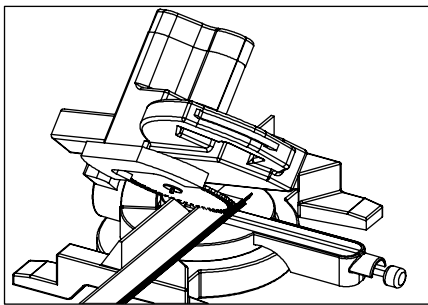
4 Screw the wall fixation tools to the places that are drilled at 50cm intervals.



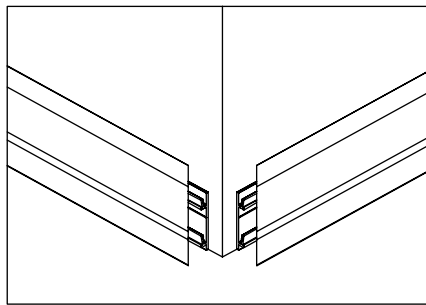
5 Assemble the profile on the wall fixation tools just like in the picture.



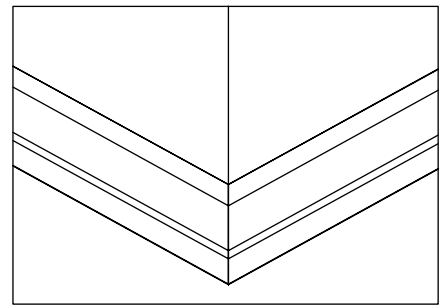
6 Make sure that the profile nails and the fixation tool's nails are completely connected to each other and be sure that the profile sole is fixed to the floor.



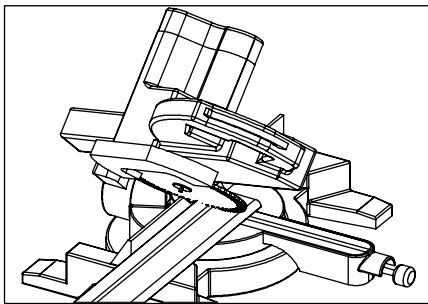
7 Cut profiles 45 degrees for external corners.



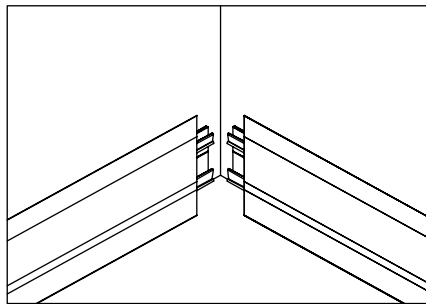
8 Affix the wall fixation tools in the manner that will be closed to the corners and assemble the profiles that you cut 45 degrees on it.



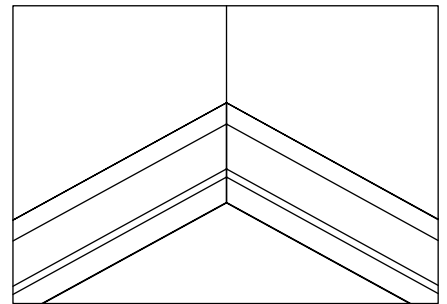
9 Make sure that the profiles that are cut 45 degrees are fixed to each other completely at the external corners.



10 Cut profiles 45 degrees for internal corners.



11 Affix the wall fixation tools in the manner that will be closed to the corners and assemble the profiles that you cut 45 degrees on it.



12 Make sure that the profiles that are cut 45 degrees are fixed to each other completely at the internal corners.